



Technical Data Sheet

- Large 7" touch-screen display
- Controls up to 8 cabins
- Menu navigation in 20 languages
- Multifunctional - for sauna, steam room, infrared and hamam

EOS EmoTouch 3

Smart touch-screen sauna control unit for dry & humid sauna operation.

Advanced control system with a large touch-screen display panel and a separate relay box.

Easy, intuitive operation thanks to the unique graphic user interface. For residential and commercial use.

Features and advantages:

- Multifunctional, universal wellness management system - can control sauna, infrared, steam room, hamam.
- Up to 8 separate cabins can be controlled from one display panel.
- 7" capacitive colour touch-screen display.
- Unique graphic user interface - fast, easy, intuitive operation.
- Easy navigation via icons and clear text function description.
- Menu navigation in 20 languages (DE, EN, FR, RU, ES, NL, IT, PL, SLO, FIN, TR, CZ, RO, BG, HU, HR, SK, DK, SLK, CN).
- Dry and humid sauna operation (with / without humidity sensor)
- Separate service level with PIN code protection.
- Child lock and an innovative holiday home-mode.
- Week timer (4 programs / day) with individual climate settings.
- Guided setup menu, clear text messaging (functions, errors).
- Software can be easily updated on site.
- Additional features (colour light, music control, remote control, energy saving, power boost, etc.) via optional modules.
- Remote operation from mobile devices and BMS systems possible.
- Potential-free output for control of 3rd party equipment.
- Dimmable light output and fan control.
- Large scope of tuning functions: hysteresis adjustment, temperature offset, service intervals, desktop themes, etc.
- Includes digital temperature sensor with 5 m cable.
- Display panel available in black or white design. Flush-mounting installation. Remote relay box.

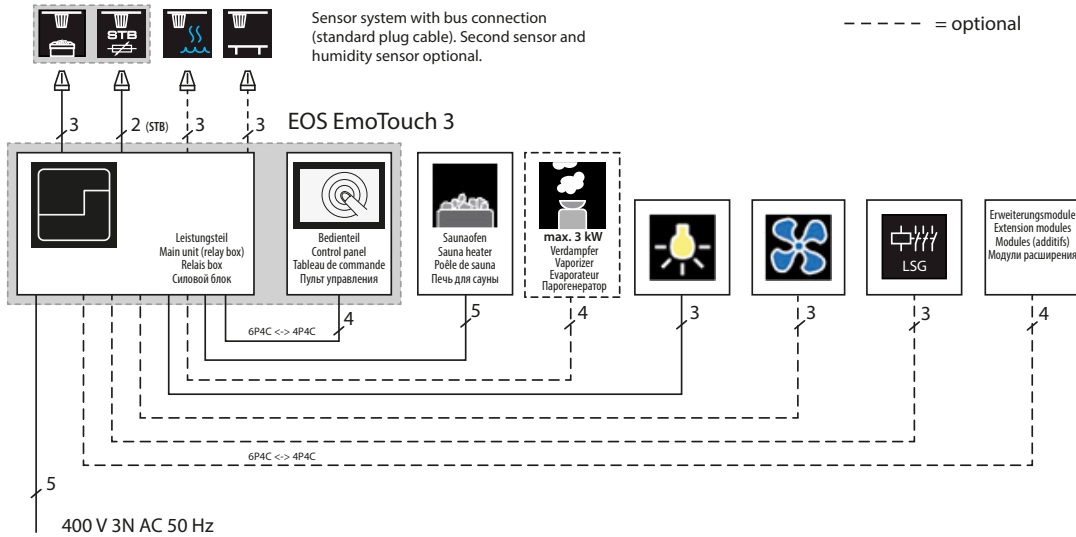


Relay box
wall-mounting

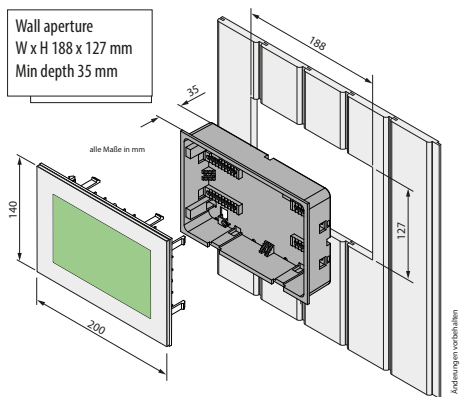
Display panel
Flush-mounted installation.
7" touch-screen display.
Black or white design.

CE EAC IPx4 MADE IN GERMANY

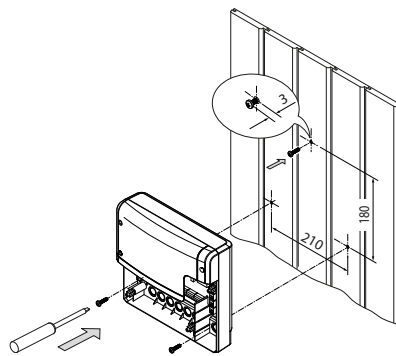
Connection diagram



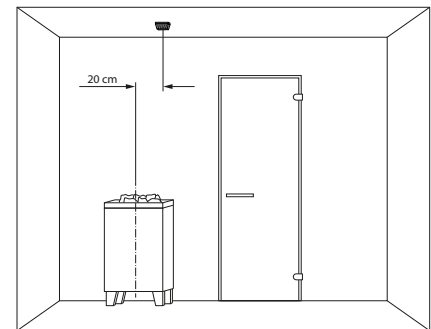
Control panel installation



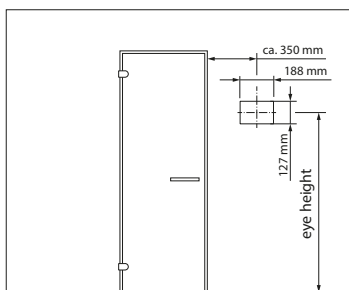
Relay box installation



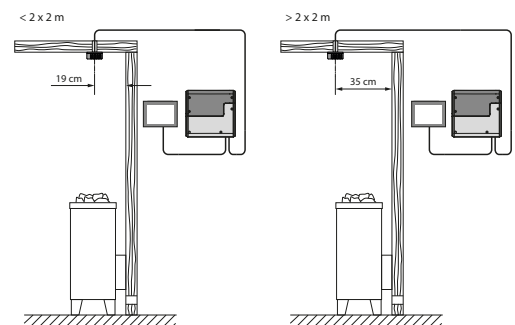
Sensor installation



Position on the sauna cabin front wall:



by sauna cabins:



Specifications

Electrical connection	Power output	Temperature control range	Humidity control	Heating time limitation	Time pre-selection	Cabin light output	Fan output	Sensor system	Control panel (HWD)	Relay box (HWD)
400 V 3N AC 50 Hz	9,0 kW resistive load (extension possible), 3 kW for vaporizer in humid sauna mode.	30° - 115°C	Proportional to time (0 - 100%) or with humidity sensor (rel. %)	6 h / 12 h / unlimited	24 h real time or week timer	230 V, dimmable. Resistive, capacitive, inductive load	230 V / max. 100 W, adjustable speed	Digital, inc. 5 m cable. 2 nd sensor and humidity sensor optional.	140 x 210 x 42 mm flush-mounting (127 x 188 mm wall aperture)	270 x 300 x 100 mm wall-mounting

Technical changes reserved