



Technical Data Sheet

Display panel
for installation
inside sauna!

EmoStyle Di

Sauna control unit for dry (Finnish) sauna operation

Designer control unit with an exclusive design glass front display panel with stylish genuine wood inlays. With the remote display panel and separated relay box. Innovative operating concept allows quick and intuitive operation. Ideal both for domestic and commercial use.

Benefits and advantages:

- Display panel suitable for installation inside sauna cabin
- Modern TFT colour display with multi-language navigation
- Additional functions and features can be added with extension modules.
- Made in Germany - Quality by EOS

Specifications:

Housing:	Load unit: Plastic Control panel: Front side completely made of glass with stylish real wood inlays (maple or walnut)
Display:	TFT colour display with menu navigation in 19 languages
Temperature control:	digital two-point regulation, 30 - 115 °C
Heating time limit:	6, 12 hours and infinite
Time pre-selection:	24 h in real time or week timer
Temperature limit:	139 °C safety limit with auto cut-off
Switching power:	up to 9 kW (can be expanded with LSG)
Connection:	400 V 3N AC 50 Hz.
Display panel HxW:	200 x 140 mm
Relay box HxWxD:	270 x 300 x 100 mm
Installation:	display panel - flush-mounted installation inside sauna rooms, relay-box - surface mounting outside sauna rooms.

Relay box

two-part front cover facilitates servicing.
Cable connections from the rear and from the bottom possible.

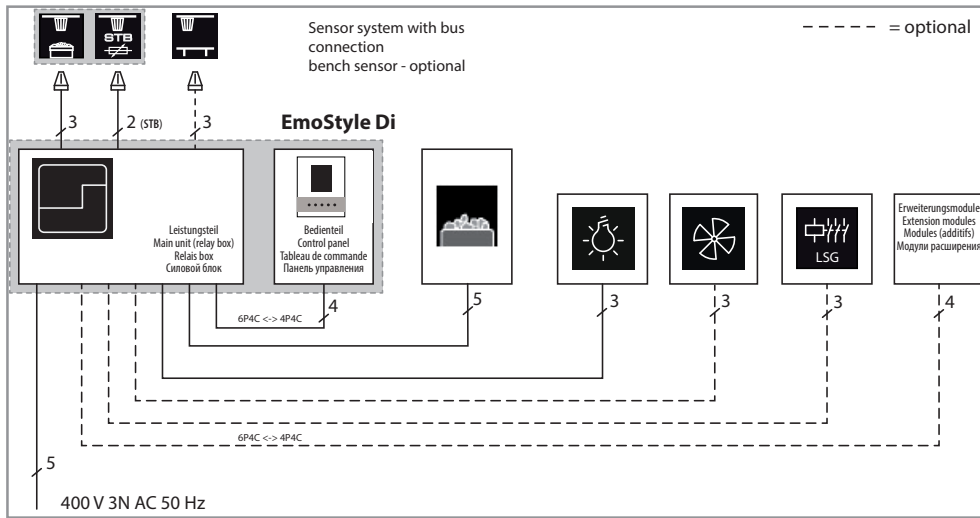


Control panel

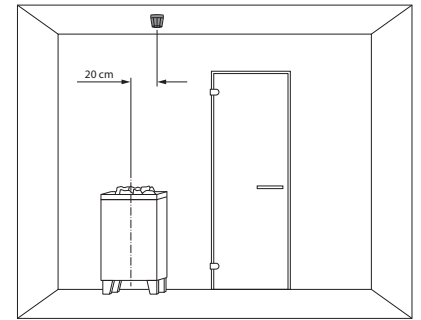
Flush-mounted installation inside sauna cabins (up to 150 cm FFL). Available in black or white design with acer or walnut button strip.

EAC CE IPx4 MADE IN GERMANY 
Technical data subject to change

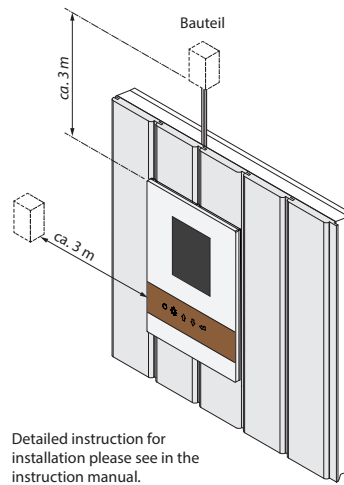
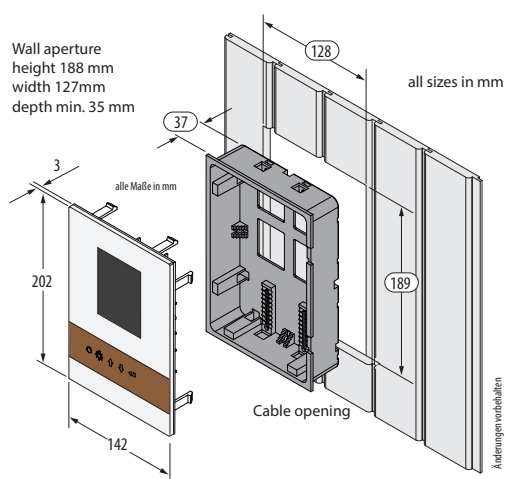
Connection diagram



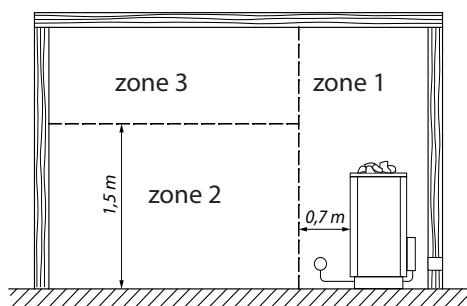
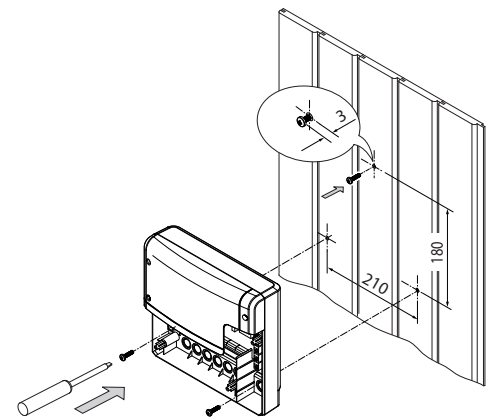
Sensor installation



Display panel installation



Relay box installation

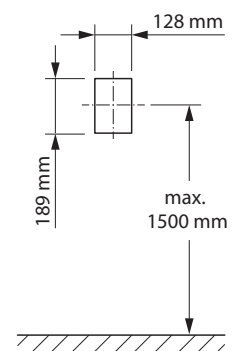


Notice for display panel installation

Display panel installation inside sauna rooms in zone 2 (up to 110°C)!
Never directly above or in the vicinity of the sauna stove (area 1),
or within the direct radiation range of short-wave infrared emitters.

ATTENTION!

When installing the control panel make sure that it is mounted tightly. Electronic parts may malfunction if there are excessively high temperatures inside the control panel.



Specifications

Art. No.	electr. connection	Switching output	Control range	Heating time limiter	Timer limit	Light output	Fan output	probe	Control panel (HxW)	Load unit (HBT)
94.6393	400V 3N AC 50 Hz	9.0 kW	30° - 115°C	6 hrs / 12 hrs / infinite	24 hrs or week timer	230 V, ohmic, capacitive, inductive load.	230 V / max. 150 W, adjustable	Digital, with 5 m cable. bench sensor - optional	200 x 140 mm assembly in the cabin	270 x 300 x 100 mm Wall mounting
94.6392		(can be expanded with LSG)								
94.6417										
94.6416										