



Technical data sheet

EOS Mini W

**Sauna heater for domestic sauna cabins.
Wall-mounting model.**

Compact sauna heater for dry Finnish sauna. Classic, timeless design with chrome steel outer shell. Ideal for small domestic saunas from 3 to 5 m³.

Your advantages:

- Compact, place-saving construction
- 8 kg large rock store for water infusions
- Robust, durable construction
- Stainless steel outer shell
- 230 V power supply
- Including 4 m connection cable
- Made in Germany quality from EOS.

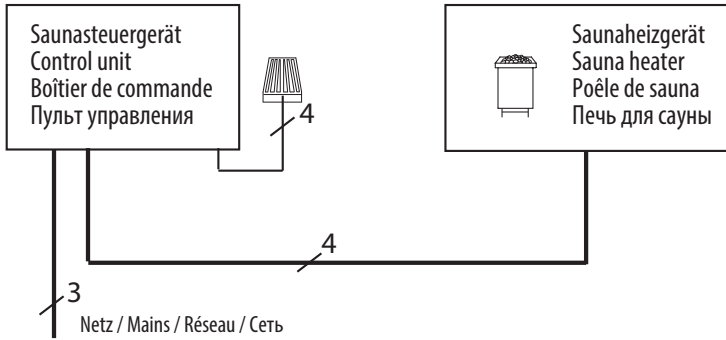
Specifications:

Outer shell:	Stainless steel, polished Anthracite pearl effect powder coating
Inner shell:	Corrosion-resistant aluminium-coated steel
Rear wall:	Zinc-plated steel
Stone support grill:	Stainless steel
Terminal box:	Zinc-plated steel, corrosion-resistant
Power rating:	3,0 kW / 3,5 kW
Power supply:	230 V 1N AC 50 Hz
Stone filling:	8 kg, incl. in delivery
Dimensions (HxWxD):	500 x 300 x 215 mm
Installation:	Wall-mounted heater

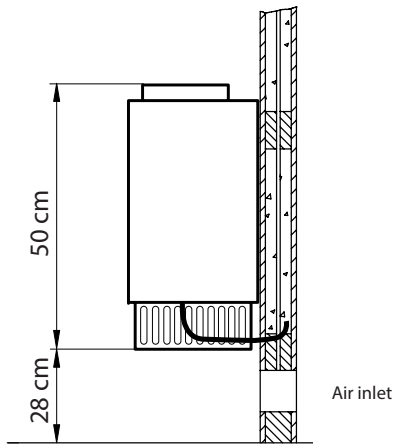


EMC CE IPx4 MADE IN GERMANY 

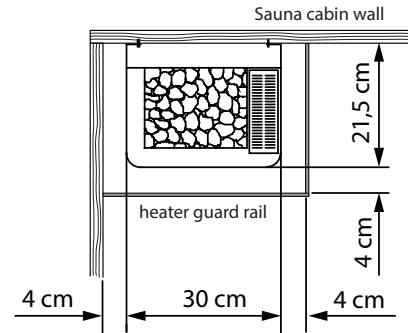
Connection diagram



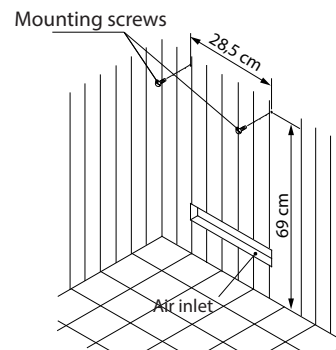
Installation example and construction



Minimum clearances



Heater guard must be installed by the cabin manufacturer.



Spare heating elements

Description	Item no.
Heating element (1500W)	2000.8085
Heating element (2000W)	2000.8086

Technical specifications

Power output	Electrical connection	Connection mains- control unit	Connection control unit - heater
3,0 kW	230 V 1N AC	3 x 1,5 mm ²	4 x 1,5 mm ²
3,5 kW			

All cross sections of a line are minimum diameters in mm² (copper wire)

Item no.	Exterior	Power output	Electrical connection	Fuse protection (control unit)	Unit dimensions H/W/D, in cm	For sauna cabin size	Min. size air inlet and outlet	Weight without rocks	Stone fillung	Power extension required
94.5650 94.6028	Stainless steel/ Anthracite	3,0 kW	230 V 1N AC 50Hz	3 x 16 A	50 / 30 / 21,5	3 - 5 m ³	20 x 4 cm	9,2 kg	approx. 8 kg	no
94.6864	Stainless steel	3,5 kW				4 - 6 m ³				

ATTENTION! Installation - 28 cm floor gap to be observed!

Druck-Nr.: 29342514 38.20

Technical changes reserved